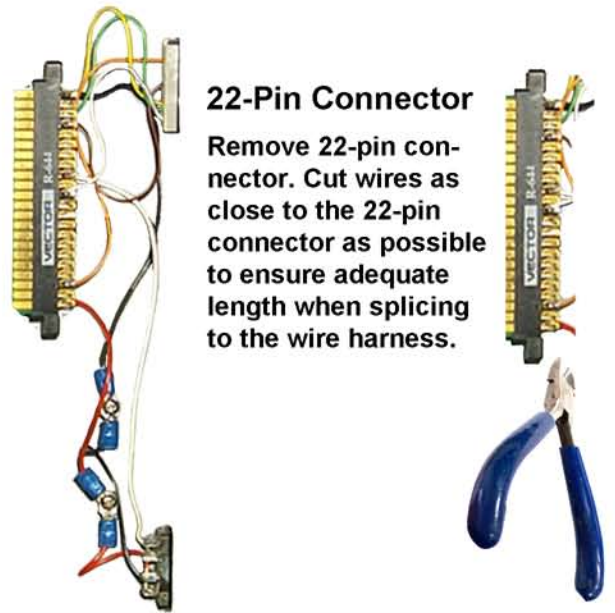


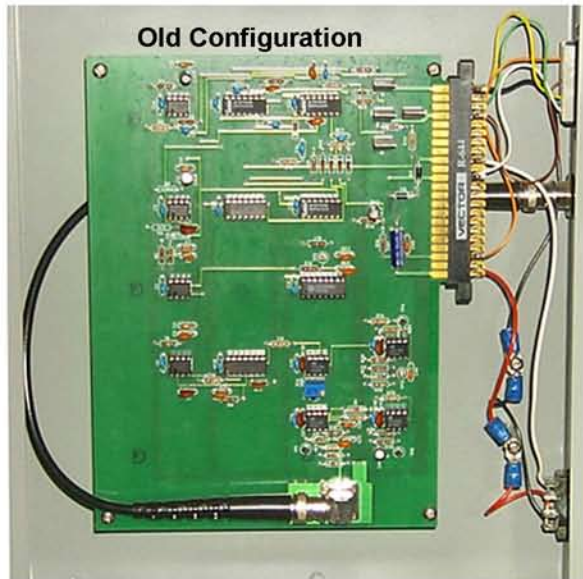
## To install the new detector board, follow steps one, two, and three:

1. Remove old detector circuit
  - a. Slide the long 22-pin connector from the detector board.
  - b. Remove the four screws used to mount detector board (do not discard).
2. Mount Wire Harness
  - a. Sever long 22-pin connector.
  - b. Splice wire inside of the detector circuit enclosure to the Wire Harness.
3. Mount new detector circuit mounting plate
  - a. Use four screws from step 1-b to secure mounting plate.
  - b. Connect Wire Harness to detector circuit.



### 22-Pin Connector

Remove 22-pin connector. Cut wires as close to the 22-pin connector as possible to ensure adequate length when splicing to the wire harness.



Old Configuration

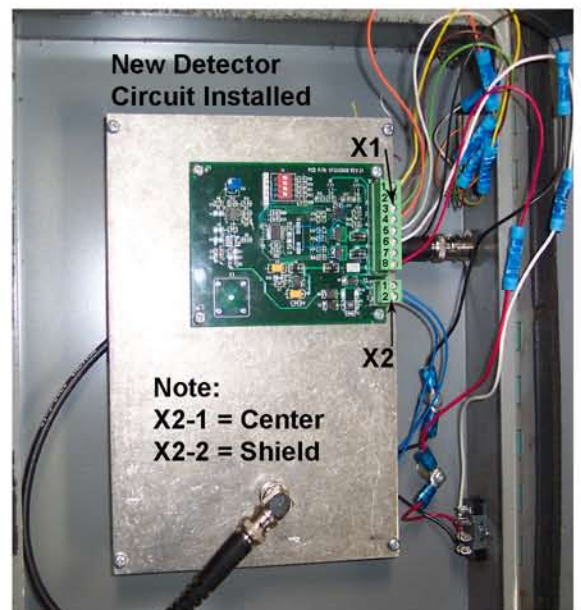
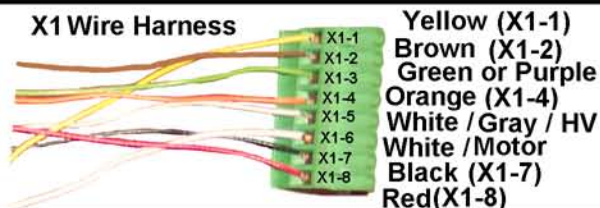
### Splice to Wire Harness by size and color.



**Note** - Two white wires are soldered to the 22-pin connector. One of the wires is smaller (22 gauge) than the other (18 gauge). Ensure the correct size and color wire is used when splicing to the corresponding wire on the Wire Harness.

**Note** - The Wire Harness must be plugged into the New Detector Circuit. Press firmly on plug to ensure there is a good connection.

**Caution** - Care must be taken when stripping wires in preparation to splice to the Wire Harness.



### New Detector Circuit Installed

**Note:**  
X2-1 = Center  
X2-2 = Shield